

another wiring product by...



150 Heller Pl #17 W Bellmawr, NJ 08031 856-933-0801

PART #:

**35775**

PART #: 35775

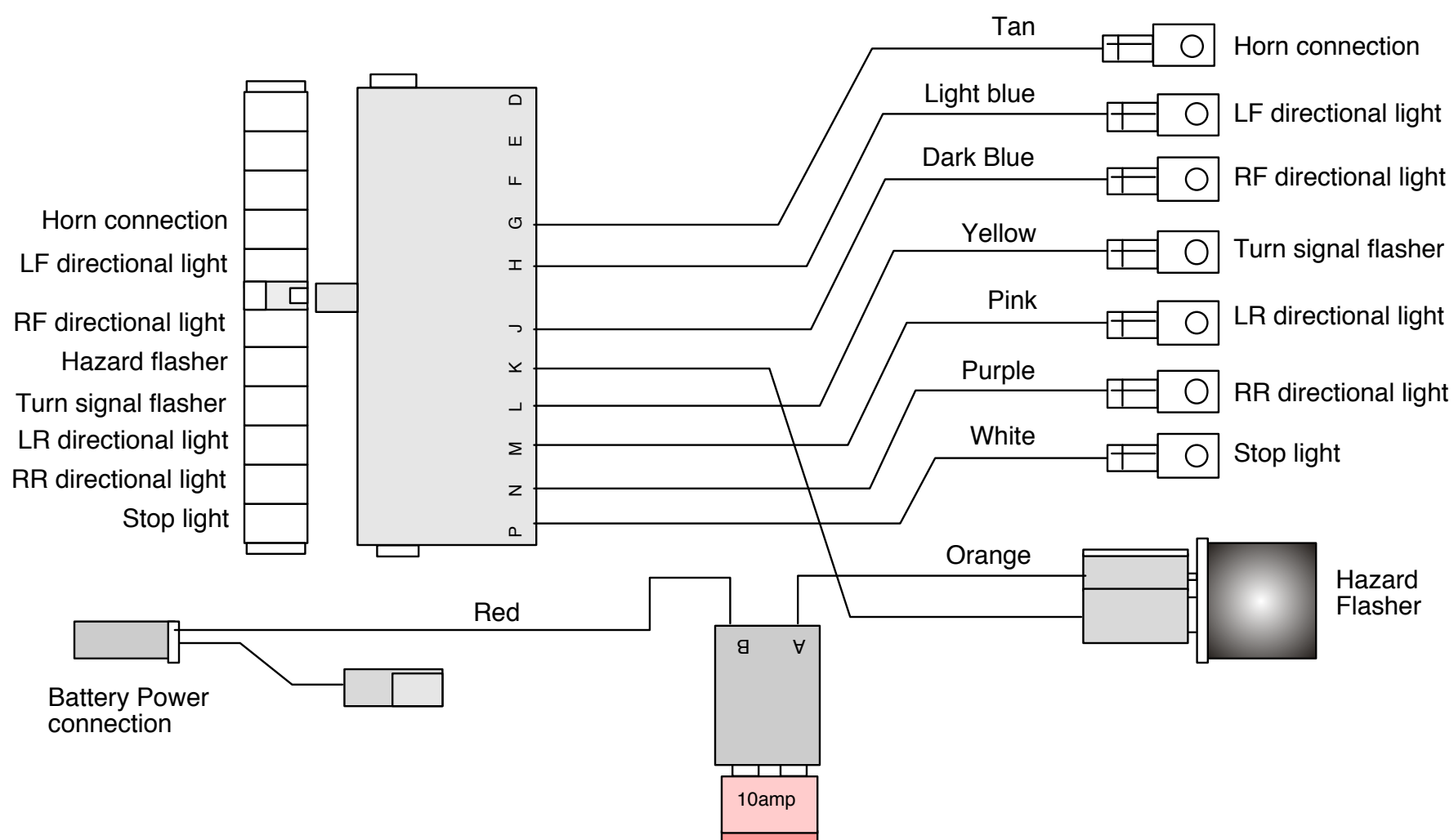
DESC: STEERING COLUMN ADAPTER

© 1998 AAW 35775 Rev 2.0 1/6/99 Instruction part number 92963628

STEERING COLUMN ADAPTER HARNESS

1953-62 CHEVY CORVETTE  
1955 CHEVY PASS  
to  
1969-1974 steering column

1. Plug the harness into the mating connector at the base of the steering column.
2. Connect the light blue, dark blue, yellow, pink, purple, and white wires at the opposite end of the harness to the factory under dash harness by matching the wire colors in the appropriate connectors of the under dash harness.
3. Connect the Tan wire to the horn button lead.
4. Plug the red wire to a battery power source on the fuse panel. An auxiliary battery source at the back of the cigarette lighter may also be used by first removing the existing heavy red wire and plugging it into the red pigtail wire.
5. Install a heavy duty 2 prong flasher into the "V" shaped plastic connector to enable use of the 4 way flashers.
6. Install a 10 amp fuse into the in line fuse holder.



another wiring product by...



150 Heller Pl #17 W Bellmawr, NJ 08031 856-933-0801

PART #:

**35775**

PART #: 35775

DESC: STEERING COLUMN ADAPTER

© 1998 AAW 35775 Rev 2.0 1/6/99 Instruction part number 92963628

STEERING COLUMN ADAPTER HARNESS

1953-62 CHEVY CORVETTE  
1955 CHEVY PASS  
to  
1969-1974 steering column

1. Plug the harness into the mating connector at the base of the steering column.
2. Connect the light blue, dark blue, yellow, pink, purple, and white wires at the opposite end of the harness to the factory under dash harness by matching the wire colors in the appropriate connectors of the under dash harness.
3. Connect the Tan wire to the horn button lead.
4. Plug the red wire to a battery power source on the fuse panel. An auxiliary battery source at the back of the cigarette lighter may also be used by first removing the existing heavy red wire and plugging it into the red pigtail wire.
5. Install a heavy duty 2 prong flasher into the "V" shaped plastic connector to enable use of the 4 way flashers.
6. Install a 10 amp fuse into the in line fuse holder.